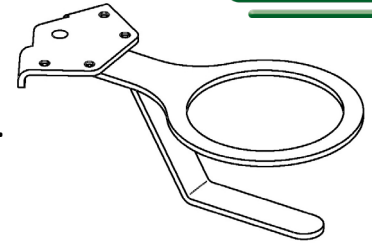
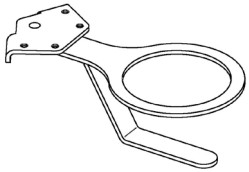


CHLD245 Cup Holder

This document shows how to install the CHLD245 Cup Holder under a top panel or shelf.
Note: If you cannot understand these instructions or are concerned about safety of the installation contact a qualified contractor or contact AVFI at 1-877-834-3876



Supplied Parts and Hardware

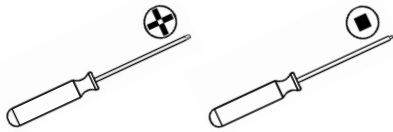


CHLD245 Cup Holder (1)



3/4" Flat Head Screw (4)

Tools required



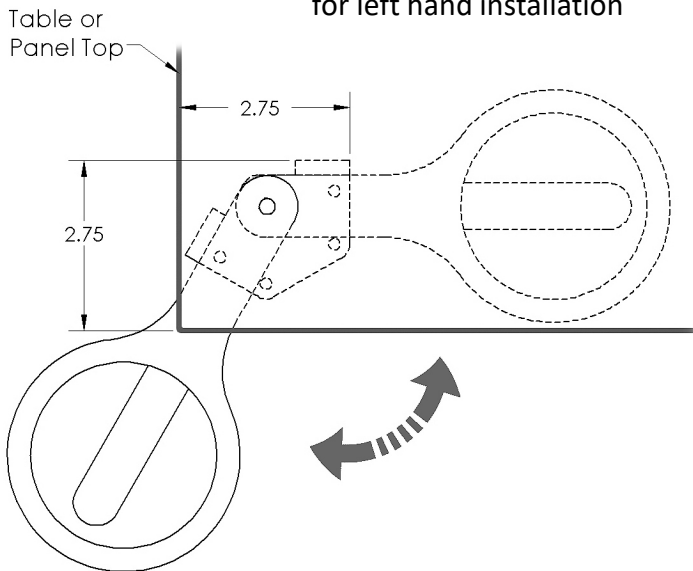
Phillips or Square #2 screwdriver



Power Drill

1 Follow diagram below to install in the desired position and mark holes for screws.

Recommended position
for left hand installation



Recommended position
for right hand installation

